

**STFA40 SERIES**

**40W Open Frame Power Supply for I.T. Equipment**

- Wide Input Voltage 90 to 264 VAC, 47 to 63Hz
- Internal EMI Filter
- Output Voltage Available From 3.3VDC Thru 48VDC
- Size: 2"x4"x0.89"
- Single Output, Class I Insulation
- Input Surge Current, Over Load and Over Voltage Protection

**3 Year Warranty**

Approvals:

**Single Output**

Model Number	Output Voltage	Output Current	Total Regulation	Maximum Output Power	Certificate
STFA40-S01	3.3 ~ 05VDC	6.06 ~ 4.00 A	±5%	20W	RoHS2
STFA40-S02	05 ~ 06 VDC	5.60 ~ 4.66 A	±5%	28W	RoHS2
STFA40-S03	06 ~ 08 VDC	5.33 ~ 4.00 A	±5%	32W	RoHS2
STFA40-S04	08 ~ 11 VDC	4.50 ~ 3.27 A	±5%	36W	RoHS2
STFA40-S05	11 ~ 13 VDC	3.63 ~ 3.07 A	±5%	40W	UL, RoHS2
STFA40-S06	13 ~ 16 VDC	3.07 ~ 2.50 A	±5%	40W	RoHS2
STFA40-S07	16 ~ 21 VDC	2.50 ~ 1.90 A	±5%	40W	RoHS2
STFA40-S08	21 ~ 27 VDC	1.90 ~ 1.48 A	±3%	40W	RoHS2
STFA40-S09	27 ~ 33 VDC	1.48 ~ 1.21 A	±3%	40W	RoHS2
STFA40-S10	33 ~ 40 VDC	1.21 ~ 1.00 A	±3%	40W	RoHS2
STFA40-S11	40 ~ 48 VDC	1.00 ~ 0.83 A	±3%	40W	RoHS2

**Electrical Characteristics**

Parameter	Test Conditions	Min.	Typ.	Max.	Unit
Input Voltage	Operating Voltage	90		264	VAC
Input Frequency		47		63	Hz
Output Power Range	Vin= 90 to 264 VAC	0		40	W
Input Current (Low Line)	Io=Full load, Vin=115 VAC			1	A
Input Current (High Line)	Io=Full load, Vin= 230 VAC			0.5	A
Low Line Inrush Current	Io=Full load, 25°C, Cool start, Vin=115VAC		12	15	A
High Line Inrush Current	Io=Full load, 25°C, Cool start, Vin=230 VAC		26	30	A
Efficiency	Io=Full Load, Vin=230VAC	80		88	%
Line Regulation	Io=Full Load		0.5	1	%
Load Regulation	Vin=230VAC		3	5	%
Over Voltage Protection		112		132	%
Over Current Protection		110		150	%
Transient Response	Io=Full Load to Half Load, Vin=100VAC			4	mS
Hold-Up Time	Io=Full Load, Vin=110VAC	12			mS
Start Up Time	Io=Full Load, Vin=100VAC	0.3	1	2	S
Ripple & Noise (Peak to Peak)	Full Load, Vin=90VAC		0.5	1	%
Safety Ground Leakage Current	Io= Full Load, Vin=240VAC		0.4	0.75	mA
Temperature Coefficient	All output	-0.04		0.04	%/°C
No-Load Power Consumption	No Load, Vin=240VAC	0.1		0.5	W

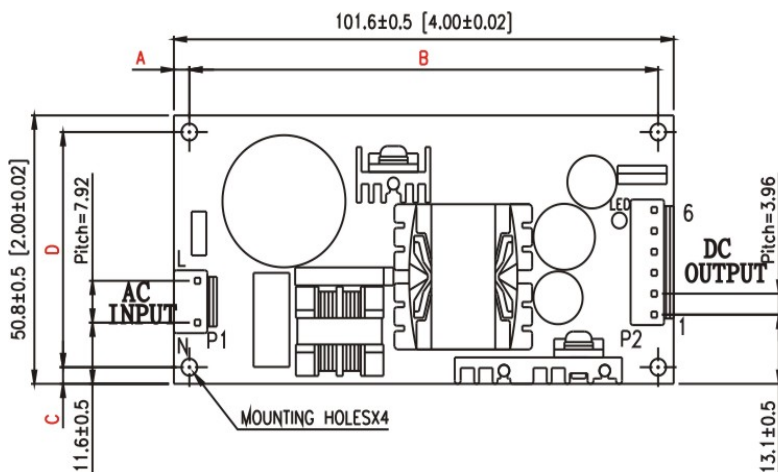
### Conditions

Parameter	Test Conditions	Min.	Typ.	Max.	Unit
Operating Temperature		0		70	°C
Storage Temperature		-40		85	°C
Relative Humidity		5		95	%
Operation temperature at 25°C, calculated per MIL-HDBK-217F		100			KHrs
Derate linearly from 100% load at 50°C to 50% load at 70°C					

### Approvals and Compliance

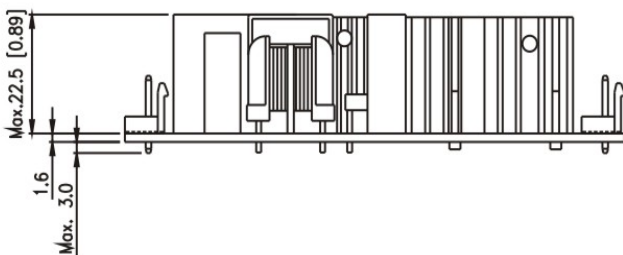
Parameter	Test Conditions	Min.	Unit
Dielectric Withstanding Voltage for Primary to Secondary	Primary to Secondary	4242	VDC
Dielectric Withstanding Voltage for Primary to Ground	Primary to Ground	2121	VDC
Isolation Resistance	Test Voltage=500VDC	50	MΩ
EMI requirements for CISPR-11	Vin=220VAC	B	CLASS
EMI requirements for FCC PART-18	Vin=110VAC	B	CLASS
Safety UL/c-UL	UL/C-UL 60950-1 (for STFA40-S05 only)	n/a	n/a
Environmental Compliance	RoHS2	n/a	n/a

### Mechanical and PIN Out



P/N: STFA40-XXX-H3  
or STFA40-XXX-H4

	H3	H4
MOUNTING HOLES	3.2±0.5	4.0±0.5
A	3.15±0.5	4.3±0.5
B	95.3±0.5	93.0±0.5
C	3.15±0.5	4.3±0.5
D	44.5±0.5	42.8±0.5



**Note:**

1. Dimensions are shown in mm & inch
2. Weight: approx. 140g
3. Input connector mates with Molex housing 35977-0300 and Molex 35922 series crimp terminal.