

SHWA12B SERIES
12W Wall Mount for Medical Equipment


- Wide Input Voltage 90 to 264 VAC, 47 to 63Hz
- UK type, 3 Prong Plug-In Mains Connector
- Output Voltage Available From 5VDC Thru 27VDC
- Single Output
- Over Load Protection.
- Class II Insulation

3 Year Warranty

Approvals:

Single Output

Model Number	Output Voltage	Max. Output Current	Total Regulation*	Maximum Output Power
SHWA12B-S02	5 ~ 6 VDC	2.00 ~ 1.66 A	5%	10W
SHWA12B-S03	6 ~ 8 VDC	2.00 ~ 1.50 A	5%	12W
SHWA12B-S04	8 ~ 11 VDC	1.50 ~ 1.09 A	5%	12W
SHWA12B-S05	11 ~ 13 VDC	1.09 ~ 0.92 A	5%	12W
SHWA12B-S06	13 ~ 16 VDC	0.92 ~ 0.75 A	5%	12W
SHWA12B-S07	16 ~ 21 VDC	0.75 ~ 0.57 A	3%	12W
SHWA12B-S08	21 ~ 27 VDC	0.57 ~ 0.44 A	3%	12W

- * The total regulation on model S02~S03 is required to use AWG#18 / 6FT output cable.
 The total regulation on model S04~S08 is required to use AWG#20 / 6FT output cable.
 The regulation and efficiency are not guaranteed if changes the output cable

Electrical Characteristics

Parameter	Test Conditions	Min.	Typ.	Max.	Unit
Input Voltage	Operating Voltage	90		264	VAC
Input Frequency		47		63	Hz
Output Power Range	Vin=90 to 264VAC	0		12	W
Input Current (Low Line)	Io=Full load, Vin=115VAC		0.25	0.35	A
Input Current (High Line)	Io=Full load, Vin=230VAC		0.17	0.22	A
Low Line Inrush Current	Io=Full load, 25°C Cool start, Vin=115VAC		14	16	A
High Line Inrush Current	Io=Full load, 25°C Cool start, Vin=230VAC		28	30	A
Efficiency	Io=Full Load, Vin=230VAC	77.7			%
Line Regulation	Io=Full Load			1	%
Load Regulation	Vin=230VAC			5	%
Over Voltage Protection		112		132	%
Over Current Protection		110		150	%
Transient Response	Io=Full Load to Half Load, Vin=100VAC			4	mS
Hold-Up Time	Io=Full Load, Vin=110VAC	10			mS
Start Up Time	Io=Full Load, Vin=100VAC	0.3	1	2	S
Ripple & Noise(Peak to Peak)	Full Load, Vin=90VAC			1	%
Temperature Coefficient	All output	-0.04		0.04	%/°C
Thermal Shutdown* By Junction Temperature Controller	The parameter is not subject to production test-verified by design/characterization of integrated controller.	-25		130	°C

*As long as faulty conditions have been removed, the adaptor will automatically power up a s usual.

Conditions

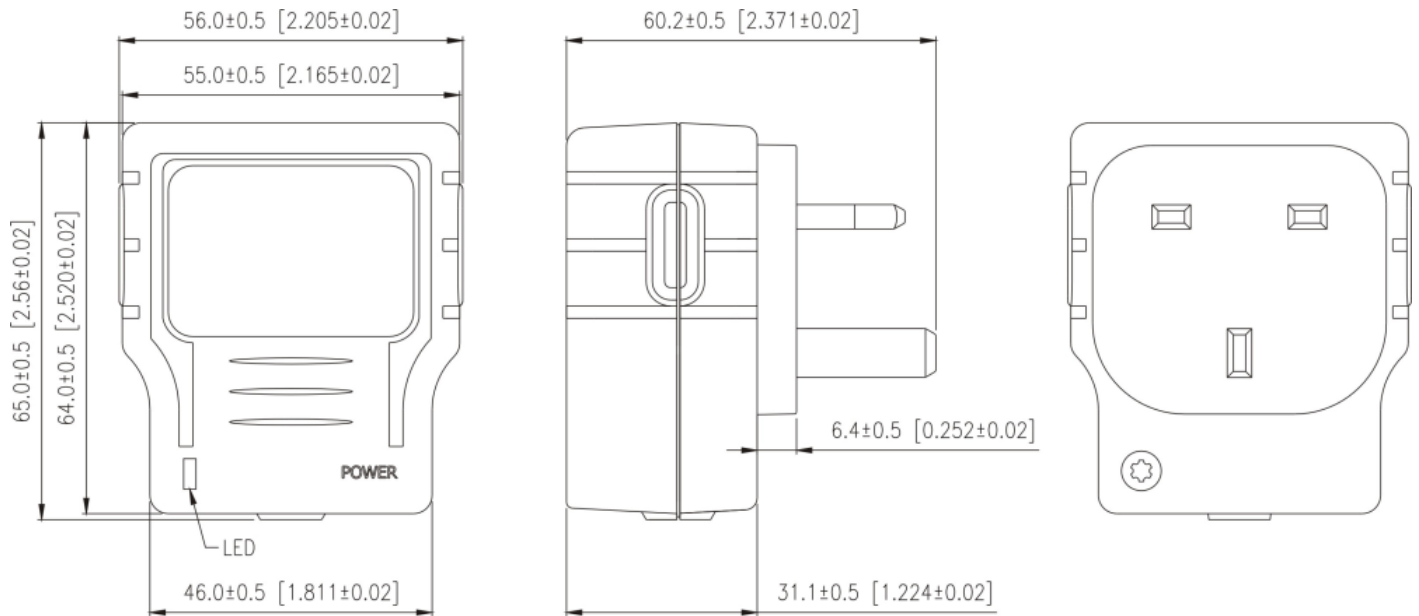
Parameter	Test Conditions	Min.	Typ.	Max.	Unit
Operating Temperature		0		70	°C
Storage Temperature		-40		85	°C
Relative Humidity	No-Condensing	5		95	%
Operating Temperature at 25°C, Calculated per MIL-HDBK-217F		100			K-Hrs

De-rate linearly from 100 % load at 50°C to 50 % load at 70°C

Approvals and Compliances

Parameter	Test Conditions	Min.	Unit
Dielectric Withstanding Voltage for Primary to secondary	Primary to secondary	5600	VDC
Meet EMI requirements: CISPR-11	Vin=120VAC, 60Hz	B	CLASS
Meet EMI requirements: CRF 47, Part18	Vin=120VAC, 60Hz	B	CLASS
Safety TUV/T-mark, CE	EN 60601-1, IEC 60601-1, LPS	n/a	n/a
Environment Compliance	RoHS, CEC V, Energy Star 2.0		

Mechanical and PIN out



Note:

1. Dimensions are shown in mm & inch
2. Weight: approx. 130g
3. Optional output connector.