

PWCD-010E SERIES
10W Qi Wireless Fast Charger


- Input: DC:5VDC/2A, 9VDC/1.8A
- Output: 5VDC/1A, 9VDC/1.1A
- Size (L x W x H): 77mm x 77mm x 8mm
- Micro USB Input Inlet
- Meet Qi Standard

1 Year Warranty

 Compliance: **FCCE** **RoHS** **Qi**
Single Output

Product Number	Output Voltage	Maximum Output Power
PWCD-010E	5VDC / 1A, 9VDC / 1.1A	5W, 10W

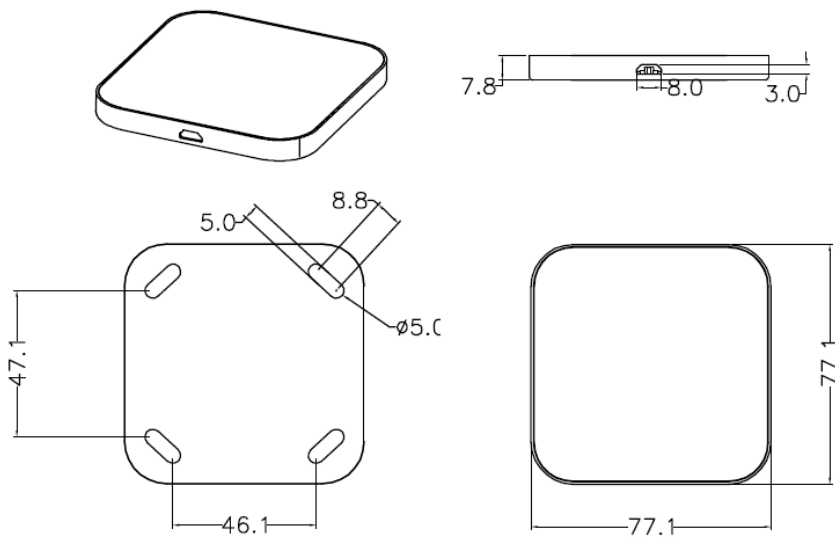
Electrical Characteristics

Parameter	Test Conditions	Min.	Typ.	Max.	Unit
Input Voltage		4.75		5.25	VDC
Input Voltage		8.75		9.25	VDC
Input Current	5VDC Input			2	A
Input Current	9VDC Input			1.8	A
Standby Current				35	mA
Output Voltage	5VDC Input, No load / Full load	4.75		5	VDC
Output Voltage	9VDC Input, No load / Full load	8.75		9	VDC
Output Current	5VDC Input	0		1000	mA
Output Current	9VDC Input	0		1100	mA
LED Lights Instruction	In the case of standby LED is out (red) Under the normal work of LED long bright (blue)				
Protection	Over temperature protection: working temperature should be lower than 70°C Short circuit protection: output short-circuit when the charger output hiccup mode				
Reliability items	Burn-in Test: 8 hours at 40°C maximum, normal input voltage, rated load.				

Conditions

Parameter	Test Conditions	Min.	Typ.	Max.	Unit
Operating Temperature	Ambient	-10		55	°C
Storage Temperature	Ambient	-20		70	°C
Plug In and Out test	After plug the connector in(35N max) and out(10N min) the female-connector within 12.5mm/min, then plug in and out .light damage in the mechanic characteristic, but no abnormality in electric characteristic.	1000			times

Mechanical Specifications



Note:

I. Size: (L x W x H): 77mm x 77mm x 8mm