

PTWA-024C SERIES

24W Multi-Plug Power Supply for I.T. Equipment



- Input Voltage 100 to 240 VAC, 50/60Hz
- Interchangeable / Fixed AC Plug Including US, UK, EU, SAA
- Over Voltage / OLP / Short Circuit Protection (Auto Recovery)
- Meet Energy Efficiency DoE Level VI Standard
- Class II Insulation (Double Insulation)
- Optional DC Connector

1 Year Warranty

Approvals: **RoHS2**

Single Output

Product Number	Range of Fixed Voltage	Max. Output Current	Output Regulation	Maximum Output Power
PTWA-024C-XXXXXX	5 ~ 24 VDC	4A Max	±5%	24W

Electrical Characteristics

Parameter	Test Conditions	Min.	Typ.	Max.	Unit
Input Voltage	Operating Voltage	100		240	VAC
Input Frequency		50		60	Hz
Output Power Range		0		24	W
Input Current (rms)	I/P: 100-240Vac			0.75	A
Inrush Current	At 100VAC, cold start, 25 °C			60	A
Inrush Current	At 230VAC, cold start, 25 °C			90	A
Ripple & Noise				250	mVp-p
Voltage Regulation	Constant voltage mode		±5		%
Hold-Up Time	Io=Full Load, Vin=115VAC		10		mS
Leakage Current				0.25	mA
Efficiency		78			
Protection	Over voltage protection (OVP), Over Load Protection (OLP), Short circuit protection				
Automatic Recovery	Automatic recovery when removal of protect condition. Any protect condition shall cause no damage and no component fail. (<0.03 ohm)				

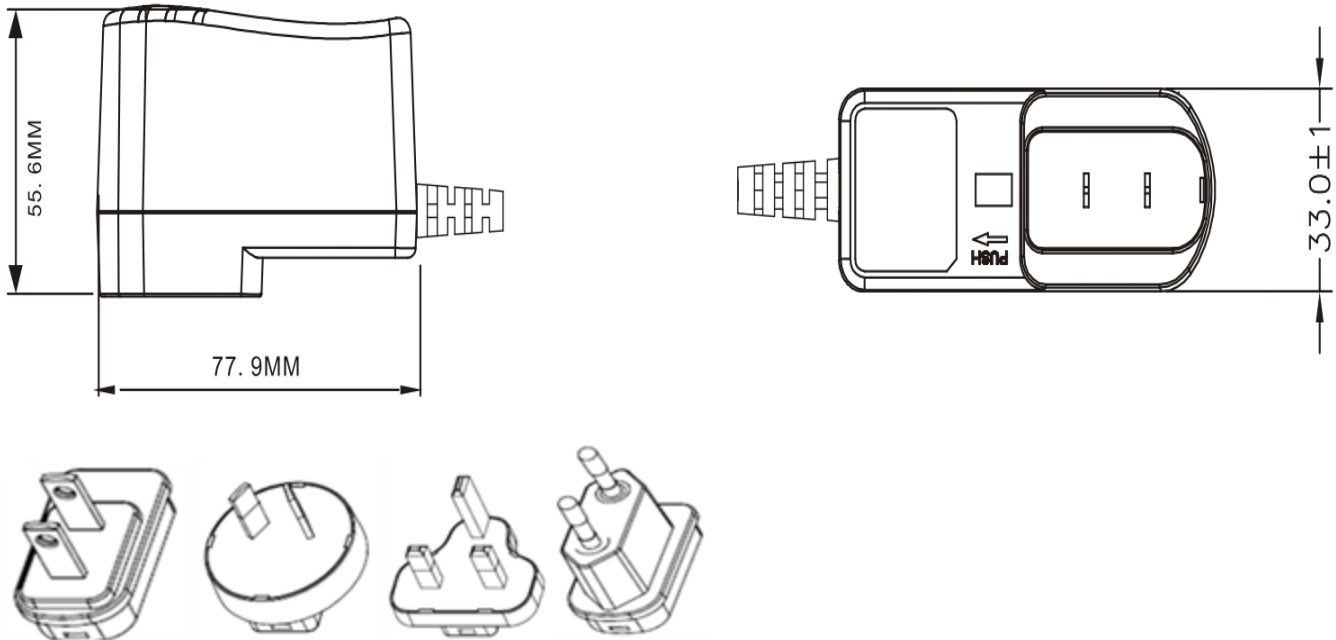
Conditions

Parameter	Test Conditions	Min.	Typ.	Max.	Unit
Operating Temperature	Ambient	0		40	°C
Storage Temperature	Ambient	-10		70	°C
Operating Humidity	Non-condensing	8		90	%
Storage Humidity	Non-condensing	5		95	%
MTBF	Full Load at 25°C Ambient Temperature	50			K Hours

Approvals and Compliance

Parameter	Test Conditions
Safety Description	EMI, FCC, CE, EMC & LVD, UL60950-1, UL60065, UL1310
Environmental Compliance	RoHS2, Energy Efficiency DoE Level VI

Mechanical Diagram



Note:

1. Dimensions are shown in mm.
2. Weight: 180g approx. (Exclude the output cord)
3. Optional output connector