

PTWA-018A SERIES
18W Multi-Plug Power Supply for I.T. Equipment


- Input Voltage 100 to 240 VAC, 50/60Hz
- Fixed or Interchangeable AC Plug Including US, UK, EU, SAA
- Over Voltage / OLP / Short Circuit Protection (Auto Recovery)
- Meet Energy Efficiency DoE Level VI Standard
- Class II Insulation (Double Insulation)
- Optional DC Connector

1 Year Warranty
Approvals:
Single Output

Product Number	AC Plug	Range of Fixed Voltage	Max. Output Current	Output Regulation	Maximum Output Power
PTWA-018A-XXXXXX-1	Fixed US	5 ~ 24 VDC	2.5A Max	±5%	18W
PTWA-018A-XXXXXX-2	Fixed EU				
PTWA-018A-XXXXXX-3	Fixed UK				
PTWA-018A-XXXXXX-4	Fixed SAA				
PTWA-018A-XXXXXX-Z	Interchangeable				

Electrical Characteristics

Parameter	Test Conditions	Min.	Typ.	Max.	Unit
Input Voltage	Operating Voltage	100		240	VAC
Input Frequency		50		60	Hz
Output Power Range		0		18	W
Input Current (rms)	I/P: 100-240Vac			0.5	A
Inrush Current	At 100VAC, cold start, 25 °C			60	A
Inrush Current	At 230VAC, cold start, 25 °C			90	A
Ripple & Noise				250	mVp-p
Voltage Regulation	Constant voltage mode		±5		%
Hold-Up Time	Io=Full Load, Vin=115VAC		10		mS
Leakage Current				0.25	mA
Efficiency		85			
Protection	Over voltage protection (OVP), Over Load Protection (OLP), Short circuit protection				
Automatic Recovery	Automatic recovery when removal of protect condition. Any protect condition shall cause no damage and no component fail. (<0.03 ohm)				

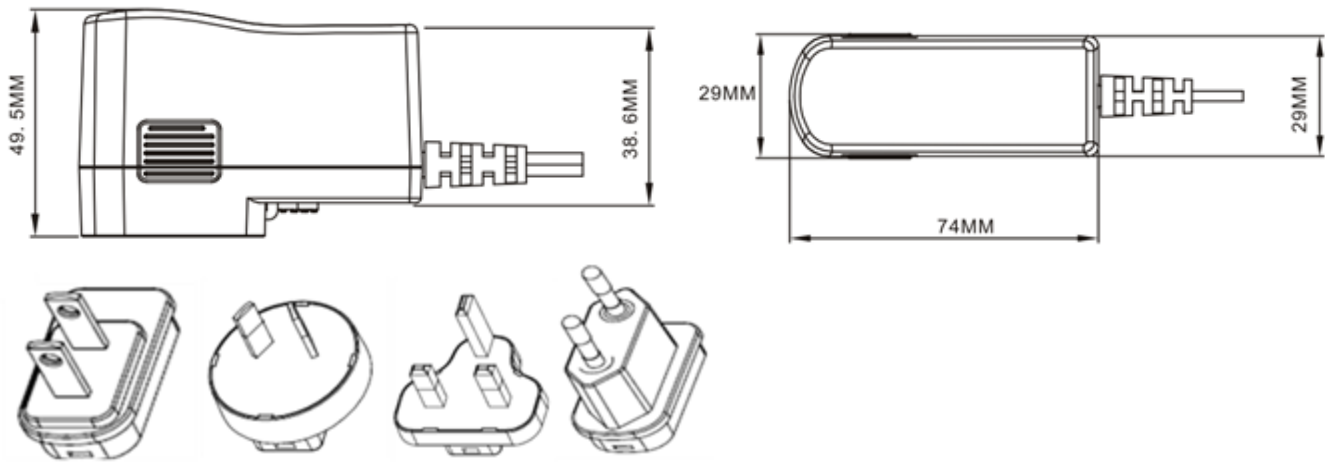
Conditions

Parameter	Test Conditions	Min.	Typ.	Max.	Unit
Operating Temperature	Ambient	0		45	°C
Storage Temperature	Ambient	-10		70	°C
Operating Humidity	Non-condensing	8		90	%
Storage Humidity	Non-condensing	5		95	%
MTBF	Full Load at 25°C Ambient Temperature	80			K Hours

Approvals and Compliance

Parameter	Test Conditions
Hi-Pot Test	4242VDC for 1minute (Sample testing); 4525VDC for 3sec (Production testing)
Altitude	Will operate properly at altitude between 0 ~ 6000 ft
EMI	FCC Part 15 Class B: 2008, EN55022, EN55013
EMS	IEC61000-4-2,3,4,5,6,8
Safety Description	UL60950-1, GB8898
Environmental Compliance	RoHS2, Energy Efficiency DoE Level VI

Mechanical Diagram



Note:

1. Dimensions are shown in mm.
2. Size: L74 x W29 x H49.5 mm
3. Weight: 165g approx.
4. Optional output connector