

**PTWA-010H SERIES**

**10W Interchangeable Plug Wall Mount Power Supply**



- Input Voltage 100 to 240 VAC, 50 to 60Hz
- **Interchangeable AC Plug**
- **Constant Voltage Output / Standard Female USB Connector**
- Short Circuit Protection
- Light Weight and Compact Size
- Class II Insulation (Double Insulation)
- Energy Efficiency Level V and RoHS compliance

1 Year Warranty

Approvals:(pending)

**Single Output**

Product Number	Output Voltage	Max. Output Current	Output Regulation	Maximum Output Power
PTWA-010H-xxxxxyy	5 VDC	2.1 A	5%	10.5W

**Electrical Characteristics**

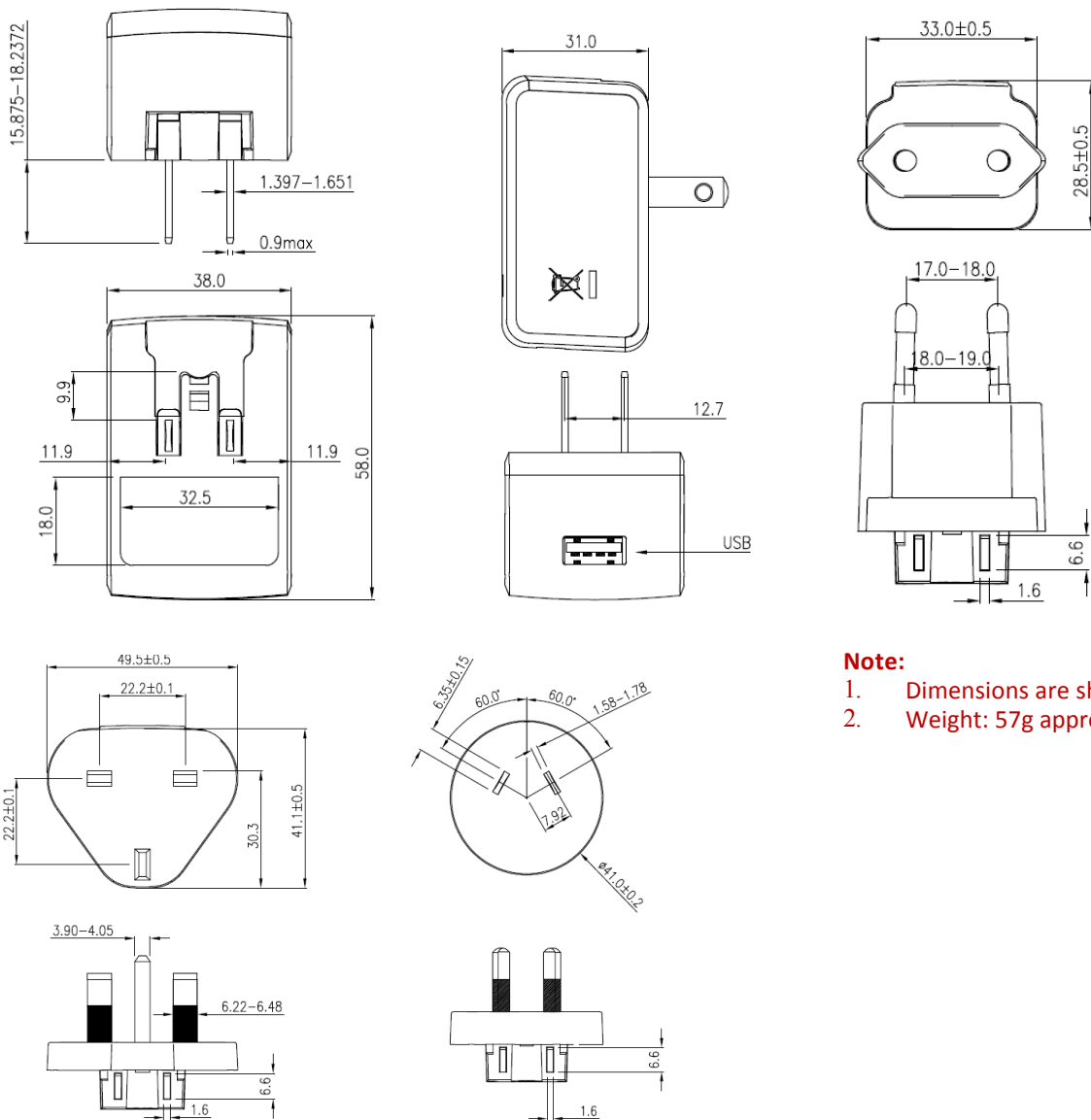
Parameter	Test Conditions	Min.	Typ.	Max.	Unit
Input Voltage Rating	Operating Voltage	100		240	VAC
Input Frequency Rating		50		60	Hz
Output Power Range		0		10.5	W
Inrush Current	Cold start at 100VAC			30	A
Inrush Current	Cold start at 230VAC			60	A
Input Current (rms)	I/P: 100 VAC		0.3		A
Output Ripple & Noise	Measured by using 1 12inch twisted pair terminated with 1 10uF cap. and 0.1uF ceramic			400	mV
Leakage current				0.25	mA
Voltage Regulation	At constant voltage mode		±5		%
Overshoot / Undershoot		5V ±10%			
Efficiency	Io=Full Load, 115 VAC	75			%
Efficiency	Io=Full Load, 230 VAC	75			%
Protection	Short circuit protection				
Automatic Recovery	No damage when output is shorted to GND. And after short circuit , auto restart .				

**Approvals and Compliance**

Parameter	Test Conditions
Hi-Pot Test	Primary to secondary: 4242VDC for 1 min. 5mA (sample test) Primary to secondary: 4525VDC for 3 sec. 5mA (production test)
Hi-Pot Test	Primary to case: 4525VDC for 3 sec. 5mA (production test)
Insulation Resistance	Input to output: >10M ohm @ 500VDC
EMI	(pending) FCC Class B, CISPR22 Class B, EN55022 Class B
Safety Description	(pending) UL/c-UL, FCC, CE, EMC&LVD, EN60950, UL60950, AS/NZS60950-1
Environmental Compliance	RoHS, Energy Star

Conditions					
Parameter	Test Conditions	Min.	Typ.	Max.	Unit
Operating Temperature	Ambient	0		40	°C
Storage Temperature	Ambient	-25		85	°C
Operating Relative Humidity		8		90	%
Storage Relative Humidity		5		95	%
Mean Time Between Failures	Full load, 25°C ambient temperature	50			K Hours

### Mechanical Drawing



**Note:**

1. Dimensions are shown in mm.
2. Weight: 57g approx. (without plugs)