

PTDA-152 SERIES

15W Desktop Power Supply for I.T. Equipment



- Input Voltage 100 to 240 VAC, 50/60Hz
- IEC-320-C8 inlet and optional AC cords (US, EU, UK, Japan types)
- Over Voltage Protection, (AC recycle), Short Circuit Protection
- Meet CEC Level V, Single Output
- Class II Insulation

1 Year Warranty

Approvals:

Single Output

Product Number	Output Voltage	Max. Output Current	Output Regulation	Maximum Output Power
PTDA-152-050yyy ~ 110yyy	5 ~ 11 VDC		±5%	12W
PTDA-152-120yyy ~ 240yyy	12 ~ 24 VDC		±5%	15W

Electrical Characteristics

Parameter	Test Conditions	Min.	Typ.	Max.	Unit
Input Voltage	Operating Voltage	100		240	VAC
Input Frequency		50		60	Hz
Output Power Range		0		15	W
Input Current (rms)	I/P: 90 VAC		0.45		A
Input Current	I/P: 264 VAC		0.25		A
Hold-up time	Full load at 115 VAC		10		mS
Voltage Regulation	Constant voltage mode		±5		%
Current Limit	Constant current mode		±5		%
Hold-up Time	I/P: 115VAC		10		ms
Efficiency	Io=Full Load, 115 VAC (DC Conversion)	75			%
Protection	Over voltage protection (OVP), AC recycle; Short circuit protection; Output short circuit protection				
Automatic Recovery	Automatic recovery when removal of protect condition. Any protect condition shall cause no damage and no component fail. (<0.03 ohm)				

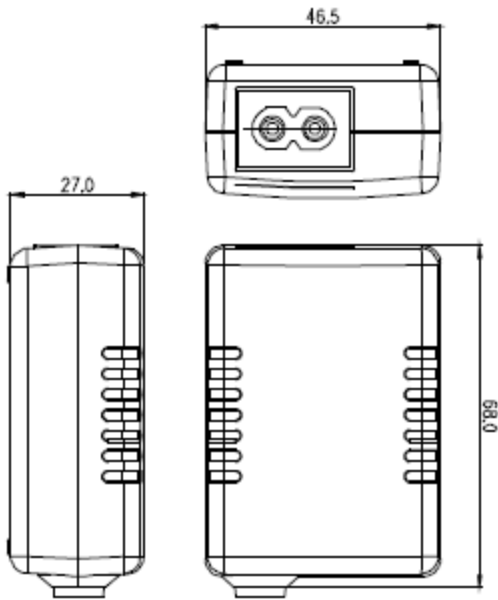
Conditions

Parameter	Test Conditions	Min.	Typ.	Max.	Unit
Operating Temperature	Ambient	0		40	°C
Storage Temperature	Ambient	-10		70	°C
MTBF	Full Load at 25°C Ambient Temperature	20			K Hours

Approvals and Compliances

Parameter	Test Conditions
Safety Description	EMI, FCC Class B, CISRP22 Class B, EN55022 Class B, CE, EMC&LVD,EN60950,UL60950

Mechanical Diagram



Note:

1. Dimensions are shown in mm.
2. Weight: 150g approx. (Exclude the input cord)
3. Optional output connector.